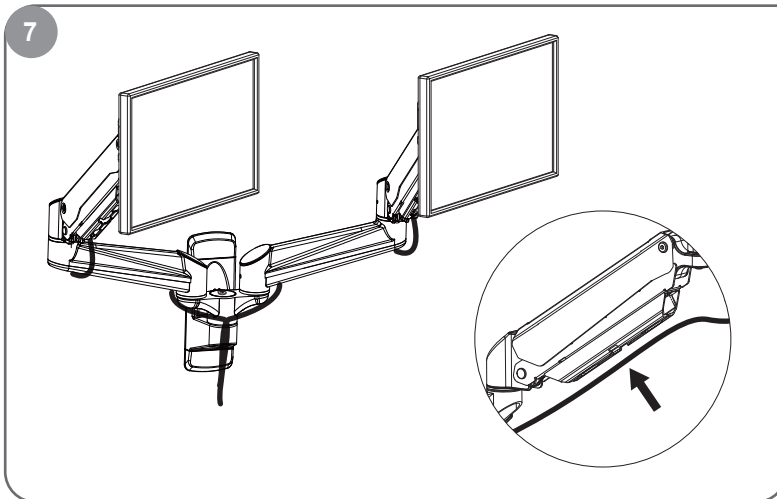


Tighten the bolt with the Allen Key to make the tilt and swivel adjustment.








Route the cables along the mounting arms.
Leave enough slack of cables at arm joints for full adjustment.

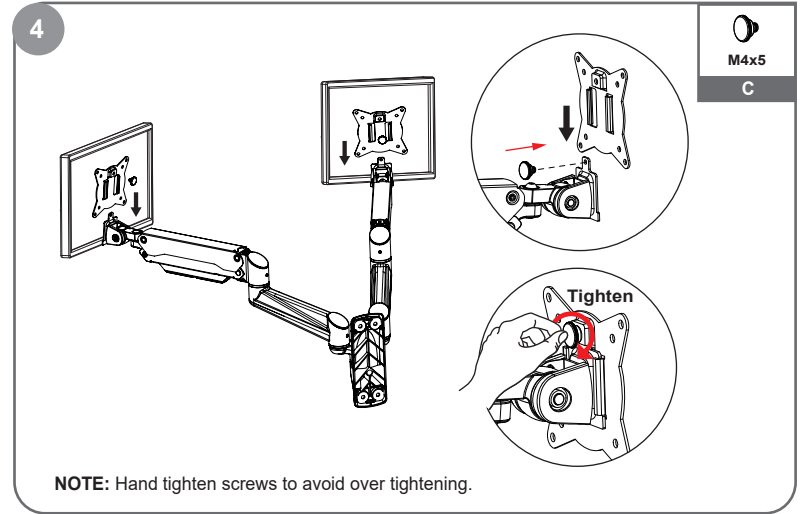
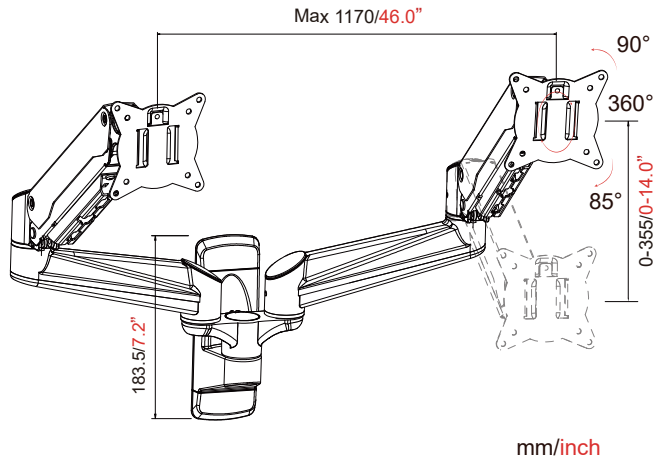
Installation *INSTRUCTIONS*

WARNING STATEMENTS

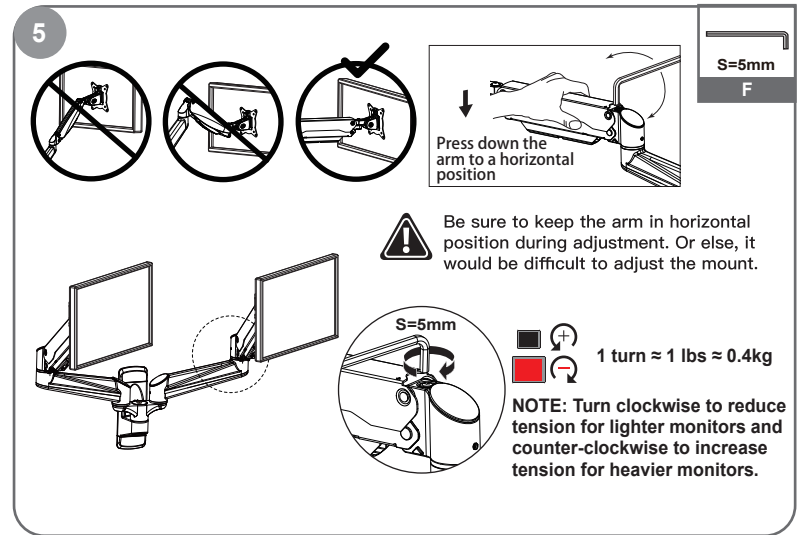
Warning

-  Prior to the installation of this product, the installation instruction must be read and completely understood. Failure to do so may result in personal injury, property damage or voiding of factory warranty.
-  Do not install on a structure that is prone to vibration, movement or chance of impact. Reinforce the structure as required before installation.
-  Recommended mounting surfaces: Wooden studs or solid-flat concrete. If the mount is to be installed on any surface other than wooden studs, use suitable hardware.
-  Pay attention to the weight capacity of the mount. Exceeding the limitation can result in function unworkable or even serious personal injury and property damage.
-  Never operate the mount if parts are missing or damaged. Contact your local service center for warranty service.

PRODUCT LINE GRAPH



Insert the monitor along with the VESA plate to the arm and lock it. Make sure the security bolt (C) is installed before you rotate the monitor.

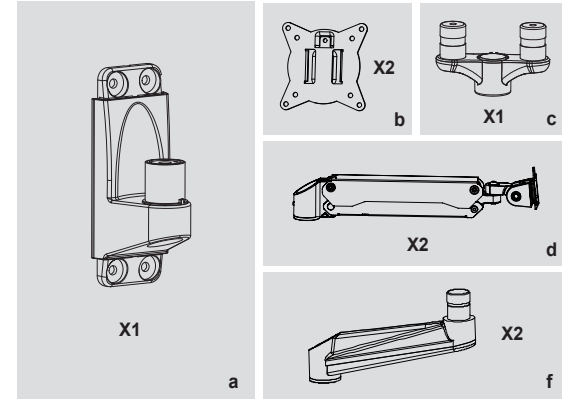


Use a 5mm hex wrench to adjust the height tension of the gas spring arm, to keep different weight of monitors still at any position.

TOOLS REQUIRED NOT INCLUDED



PARTS INCLUDED

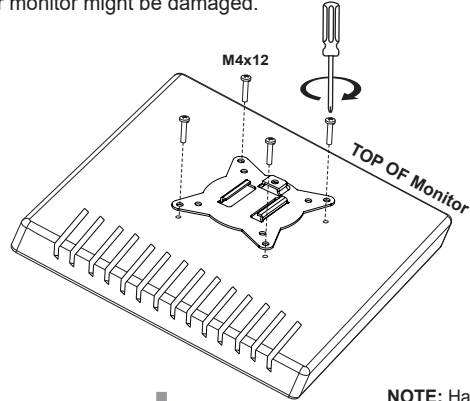


A	M4x12 (x8)	M4x25 (x8)	M4x30 (x8)
B	12X5.8X16 (x8)		
C	M4x5 (x2)	M5x6 (x6)	
D	M8x60 (x4)	$\Phi 17 \times 8.4 \times 1.2$ (x4)	$\Phi 10 \times 50$ (x4)
E	(x1)		
F	S=3mm (x1)	S=5mm (x1)	
G	(x1)		(x4)
H	(x2)		

3

OPTION A: For Flat Back Monitor

Flat surface installation: Install 4 short screws through faceplate to monitor via mounting holes. Do not tighten the screws excessively or your monitor might be damaged.



A



B

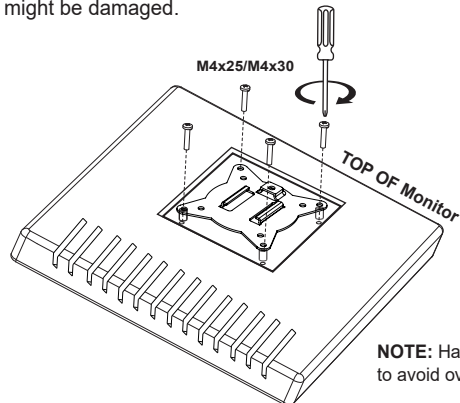


NOTE: Hand tighten screws to avoid over tightening.

OR

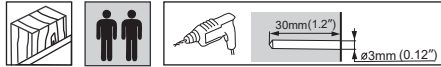
OPTION B: For Recessed/Curved Back Monitor

Recessed/Curved surface installation: Put 4 spacers between faceplate and monitor. Install 4 long screws through faceplate, spacers to monitor via mounting holes. Do not tighten the screws excessively or your monitor might be damaged.

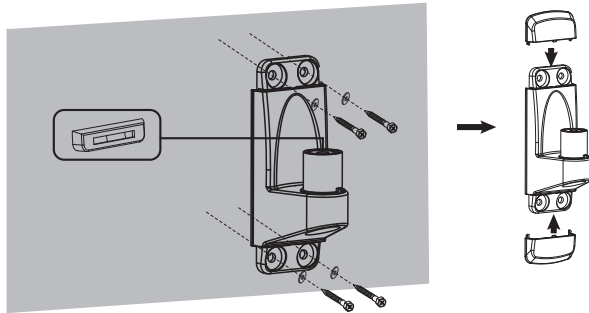


NOTE: Hand tighten screws to avoid over tightening.

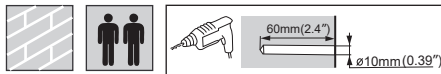
1



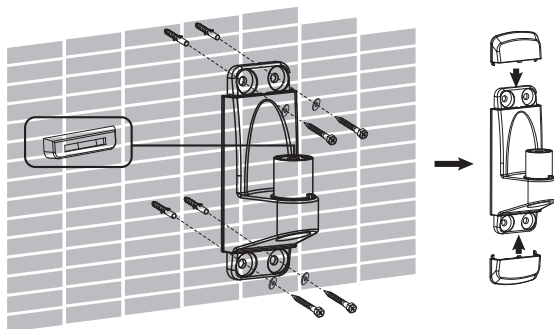
Wood Installation



OR



Cement Installation



D



G



E



D

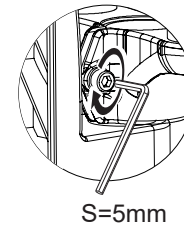
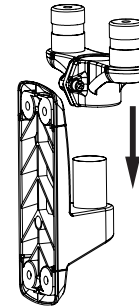


G



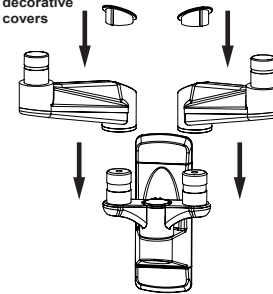
E

2

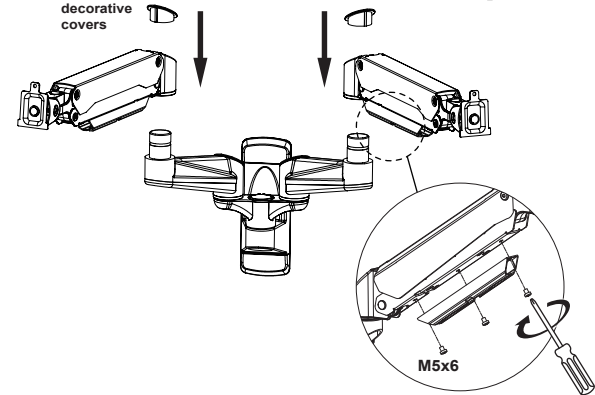


S=5mm

Insert the decorative covers



Insert the decorative covers



Cable Management Installation



G



S=5mm

F



M5x6

C



H



Use a pencil to mark where you will install the mounting base on the wall. Make sure the wall structure can support the weight of the monitors as well as the mount. Also make sure to avoid electrical wiring when choosing where to create mounting holes.

Insert the extension arm to the wall plate and fasten the screw in the back. Insert the gas spring arm above the extension arm.