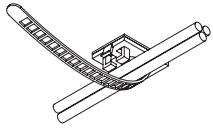
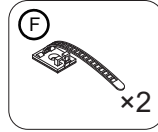
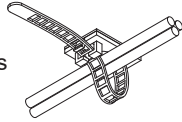


Tips

Uncover the back glue of (F) and stick it under the desktop, (F) can be used to arrange cables

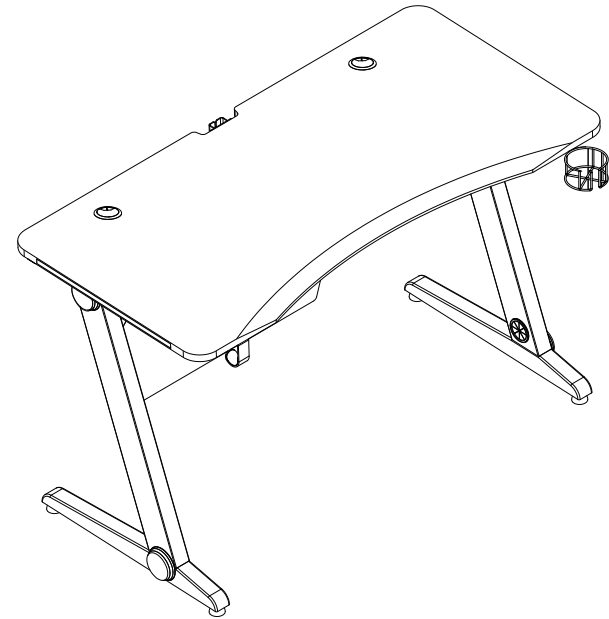


Cables



DEVO

Desk Assembly Instruction



Gaming Table-Axie



Load Capability
132 lbs / 60 kg

CAUTION : DO NOT EXCEED
MAXIMUM LISTED WEIGHT
CAPACITY. SERIOUS INJURY
OR PROPERTY DAMAGE MAY
OCCUR.

COMPONENT LIST

<p>1 Tabletop (x1)</p>	<p>2 Left leg (x1)</p>	<p>3 Right leg (x1)</p>	<p>4 Cross-bar (x1)</p>
<p>5 Cable management holder (x1)</p>	<p>6 Baffle (x1)</p>	<p>7 Headset hook (x1)</p>	<p>8 Cup holder (x1)</p>

HARDWARE LIST

<p>A Cable hole (x4)</p>	<p>B Adjustable foot (x4)</p>	<p>C Cable clamp (x4)</p>	<p>D Screws M6x12mm (x6)</p>
<p>E Knob (x2)</p>	<p>F Cable clamp (x2)</p>	<p>G Decorative cover (x4)</p>	<p>H Power cord (x1)</p>
<p>I Connect part (x1)</p>	<p>J Screws M5x12mm (x4)</p>	<p>K Remote (x1)</p>	<p>L Allen Key S=4mm (x1)</p>
	<p>M Cable hole cover (x2)</p>		



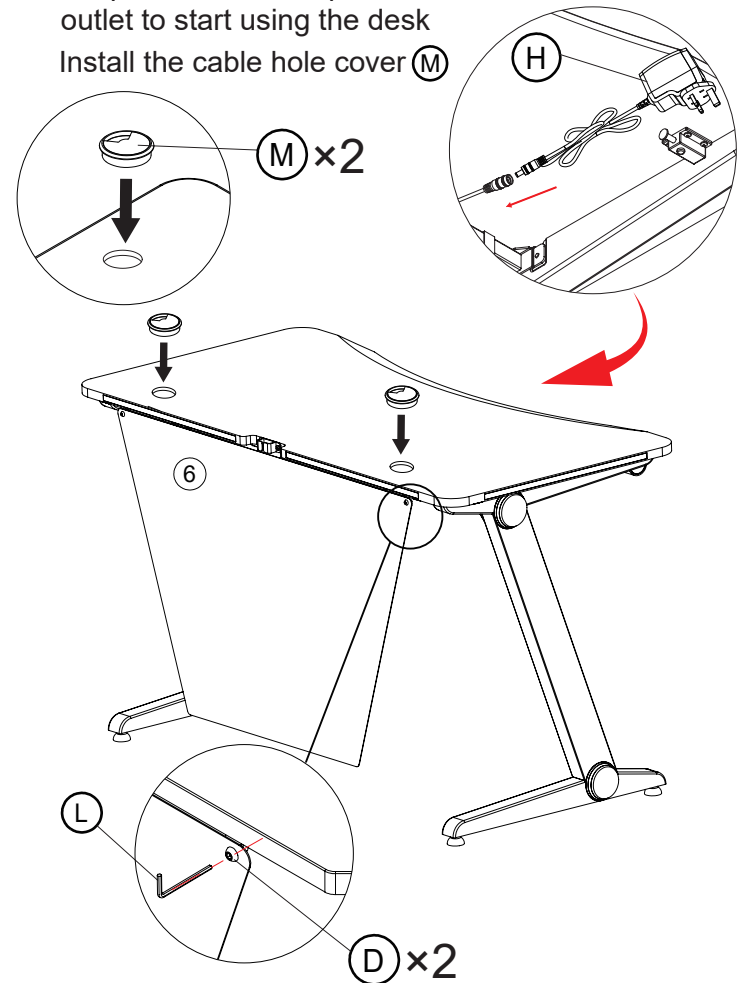
Please check whether all accessories and screws are complete before installation.
If the external flexible cable or cord of this luminaire is damaged, it shall be exclusively replaced by the manufacturer or his service agent or a similar qualified person in order to avoid a hazard.
The light source contained in this luminaire shall only be replaced by the manufacturer or his service agent or a similar qualified person.

Step 8

Install baffle ⑥

Insert the power cord ④ into the connector under the table, plug the power adapter cable into a power outlet to start using the desk

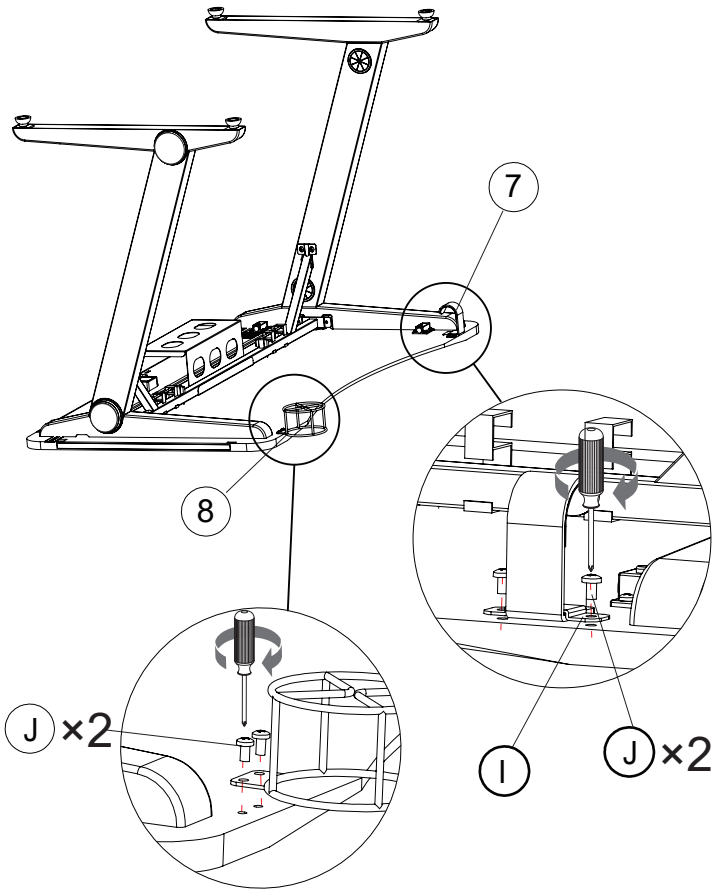
Install the cable hole cover ⑤



Step 7

Install headset hook (7) & cup holder (8)

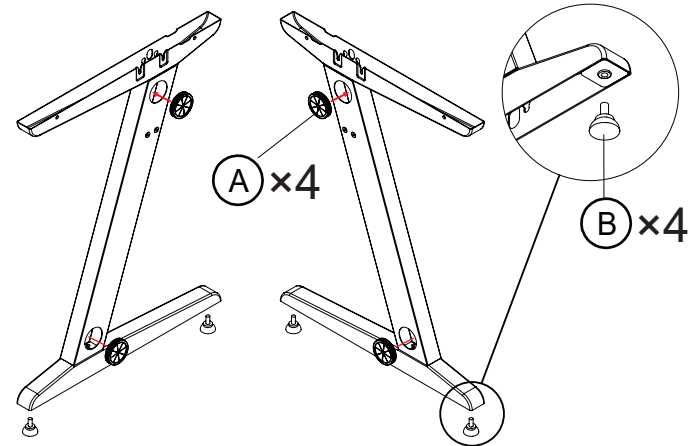
Phillips
Screwdriver
[Not Included]



INSTALLATION STEPS

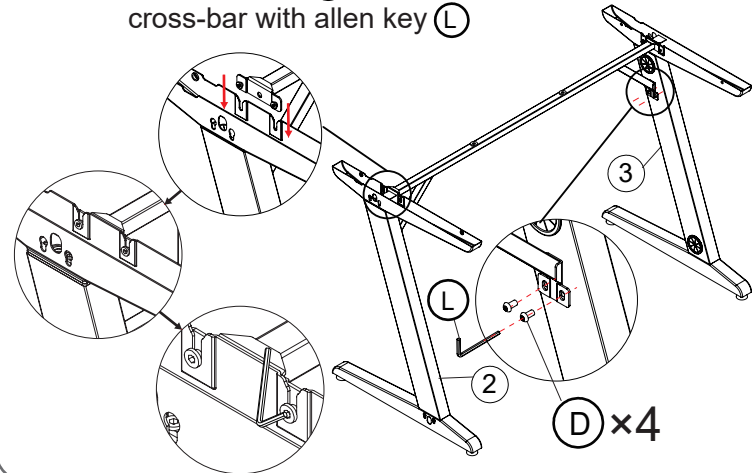
Step 1

Put cable hole (A) (x4) into the hole
Swirl adjustable foot (B) (x4) into the leg

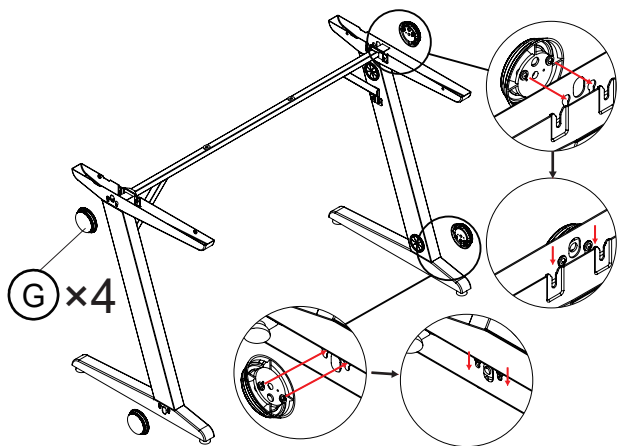


Step 2

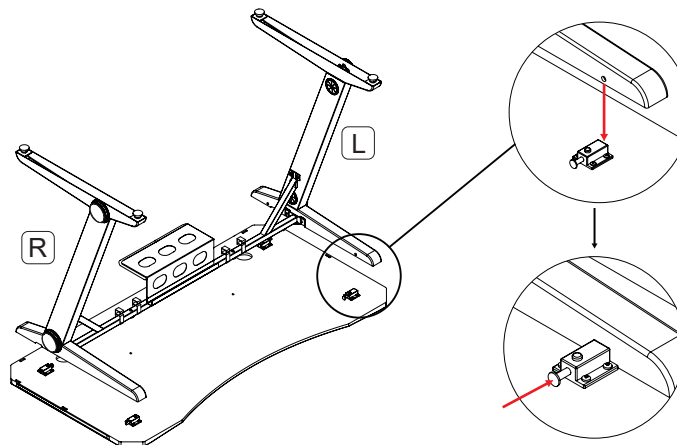
Use (D) (x4) to connect the left leg (2) & right leg (3)
with cross-bar (4). Tighten the screws on the
cross-bar with allen key (L)



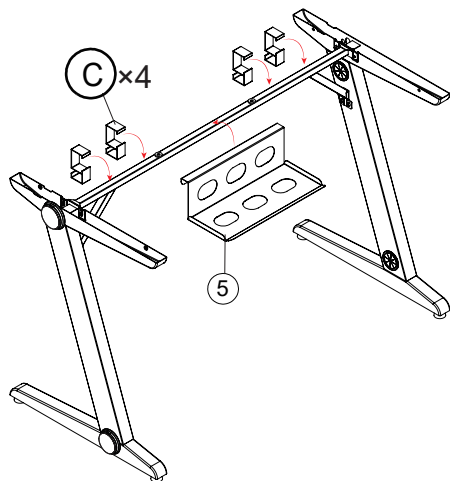
Step 3 Paste the decorative covers **G** (x4) on both leg



Step 5 Press the spring bolt lock, the tabletop can be installed



Step 4 Hang cable management holder **5** and cable clamps **C** (x4) on cross-bar **4**



Step 6 Use knob **E** (x2) to fix the cross bar to the tabletop

