

Step 9

Desk ready for use



Desk Assembly Instruction



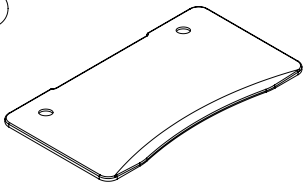
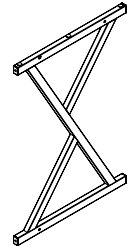

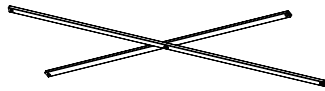
Gaming Table-Basic Attention Table



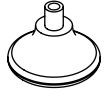
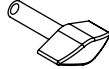
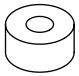


Load Capability
132 lbs / 60 kg

CAUTION : DO NOT EXCEED
MAXIMUM LISTED WEIGHT
CAPACITY. SERIOUS INJURY
OR PROPERTY DAMAGE MAY
OCCUR.

COMPONENT LIST

<p>1</p>  <p>Tabletop (x1)</p>	<p>2</p>  <p>Leg (x2)</p>
<p>3</p>  <p>Cross-bar (x1)</p>	<p>4</p>  <p>Cross-bar (x1)</p>

HARDWARE LIST

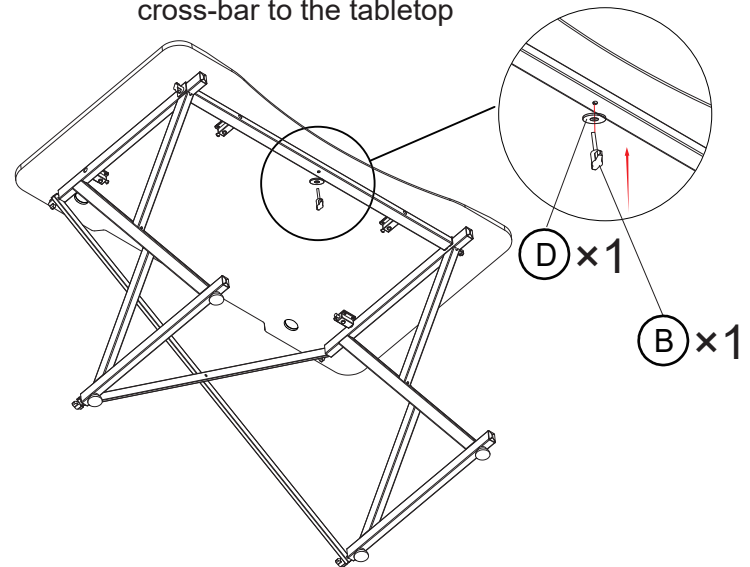
<p>A</p>  <p>Adjustable foot (x4)</p>	<p>B</p>  <p>Knob (x7)</p>	
<p>C</p>  <p>Plastic Spacer (x2)</p>	<p>D</p>  <p>Washer (x7)</p>	<p>E</p>  <p>Cable hole cover (x2)</p>



Please check whether all accessories and screws are complete before installation.

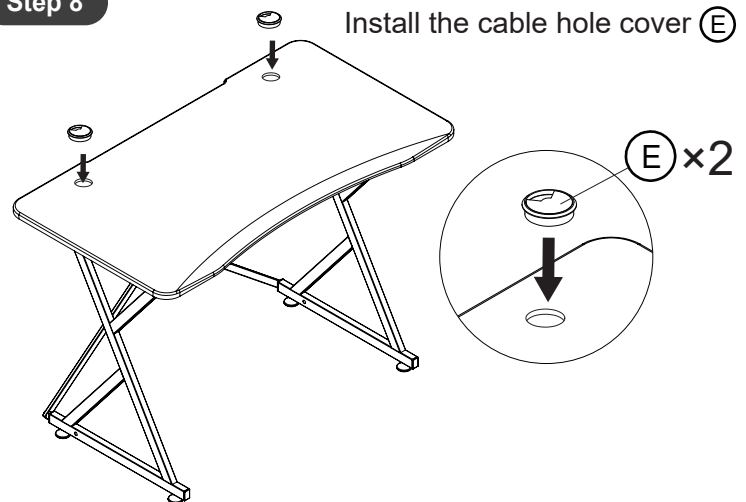
Step 7

Use knob (B) and washer (D) to fix the cross-bar to the tabletop



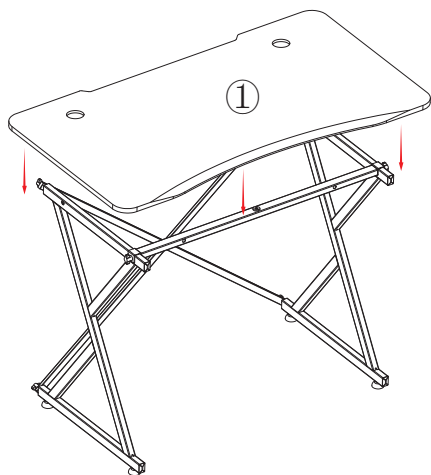
Step 8

Install the cable hole cover (E)



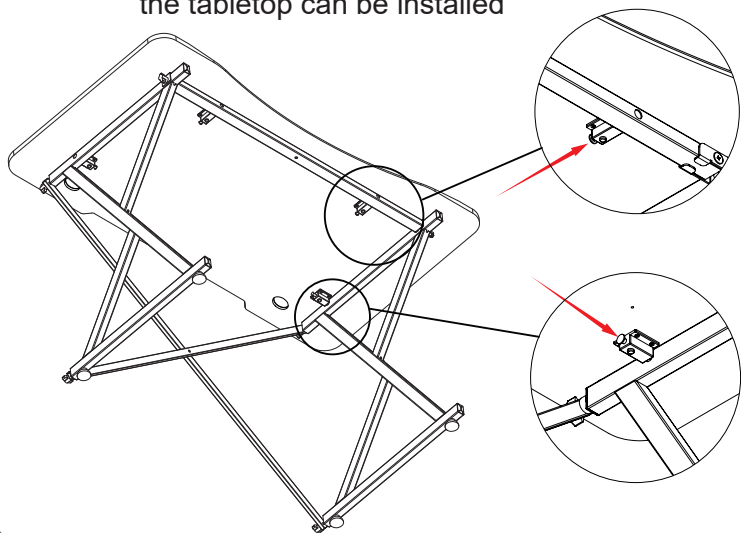
Step 5

Install the tabletop



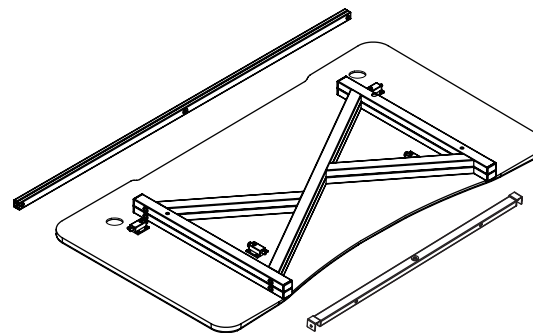
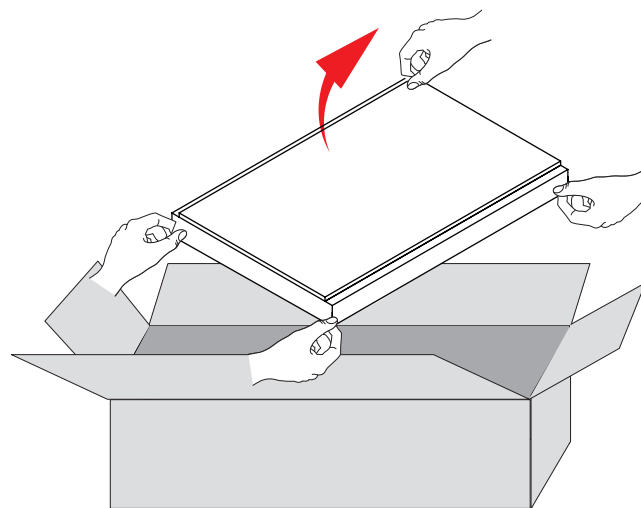
Step 6

Press the spring bolt lock, the tabletop can be installed



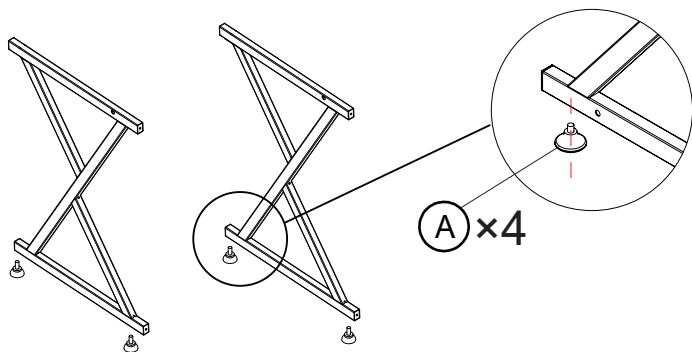
INSTALLATION STEPS

Step 1

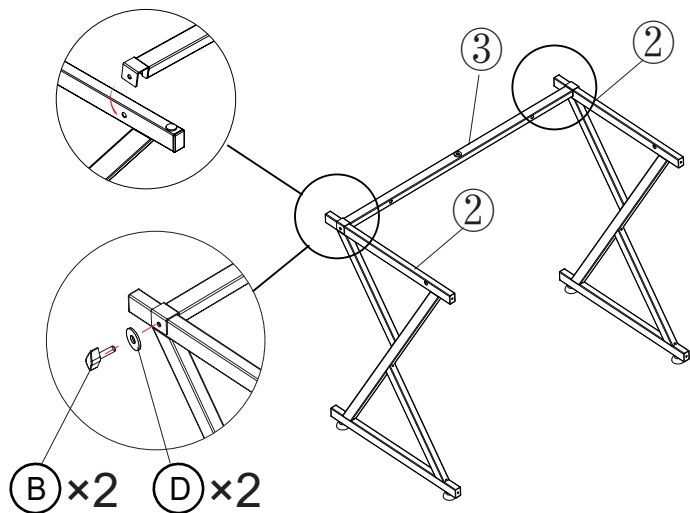


Step 2

Swirl the adjustable foot **(A)** (x4) into the leg.

**Step 3**

Use knob **(B)** and washer **(D)** to fix the cross-bar **(3)** to the leg **(2)**

**Step 4**

Use knob **(B)** and washer **(D)** to fix the cross-bar **(4)** to the leg **(2)**

