

Using the Controller

M	Short-press the M button, and the display will flash. Press the 1 , 2 , or 3 button to save the current height setting to that button.
1	Press the 1 button, and the desk will move to the height that was previously set for that button.
2	Press the 2 button, and the desk will move to the height that was previously set for that button.
3	Press the 3 button, and the desk will move to the height that was previously set for that button.
L	Lighting mode button.

	Press the button to raise the desk continuously until it reaches the highest position of 46.5" (118cm) or the button is released.
	Press the button to raise the desk continuously until it reaches the highest position of 28.3" (72cm) or the button is released.

Reset	Press and hold the button for 5 seconds, and the screen will show 'RES.' Continue holding until the desk goes down to its lowest level and comes back up slightly.
-------	---

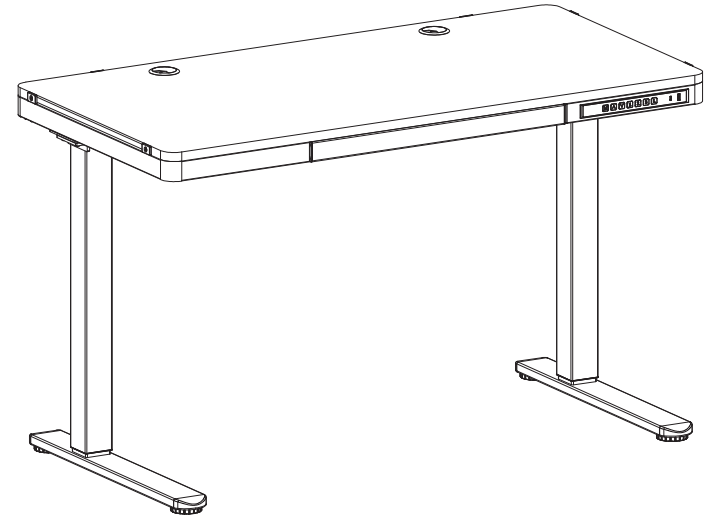
Protection mode (auto lock screen mode)

Hot	Over-heating protection	It alarms when continuously working for 2 minutes. Re-powered on and waiting for at least 18 minutes before height adjustment.
E10	Sensorless alarm	It alarms when motor sensor can't be detected. Power off first. Check the connecting of motor and control box, and then re-power on.
E20	Overload protection	Overload alarm. If alarming when desk going up, remove the stuff on the desk and try again. If alarming when desk going down, power off first, remove the stuff on the desk and re-power on.
E02	Rebound protection	It alarms when vibrated, collided or inclined in desk moving. Check if there is vibrating, obstacles or incline. If no issues above, do the reset process and use it again.
E32	Overvoltage alarm	It alarms when voltage is higher than required value. Power off first. Check whether the connection between power and control box is OK. Power on again.
E31	Undervoltage alarm	It alarms when voltage is lower than required value. Power off first. Check whether the connection between power and control box is OK. Power on again.

Engineering Mode

Change Displayed Unit (μ n)	Long press the M button, "S--" shows and flashes. Press M again and the display shows "Un". Press M to select. Press or to switch between " μ j " (metric) or " μ n " (imperial). Press M to save your choice.
Collision Force Detection (CF)	Long press the M button, "S--" shows and flashes. Press M again and the display shows "Un". Press or to switch to "CF". Press M to select. Press or to switch between "OFF", Low (L), Normal (n) or Heavy (H) collision force detection. Press M to save your choice.

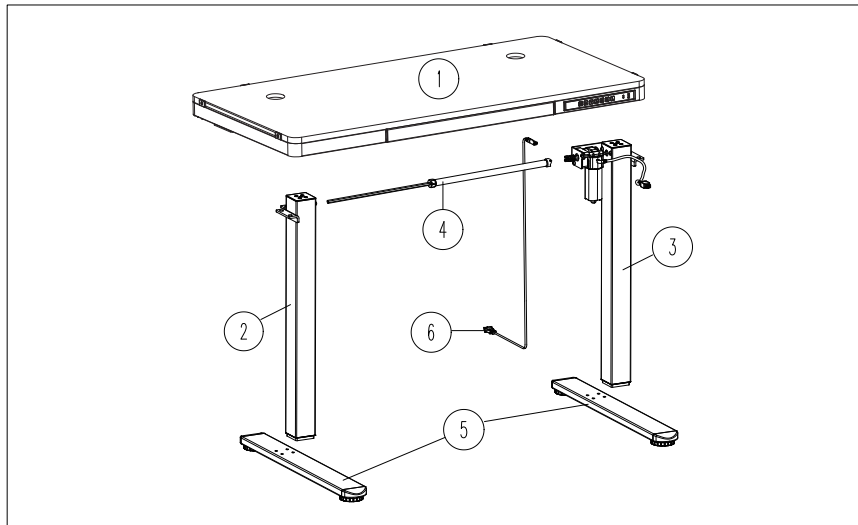
Desk Assembly Instruction

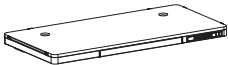
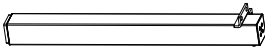
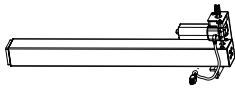

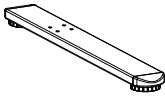
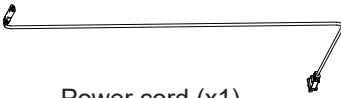


Gaming Table - AGR

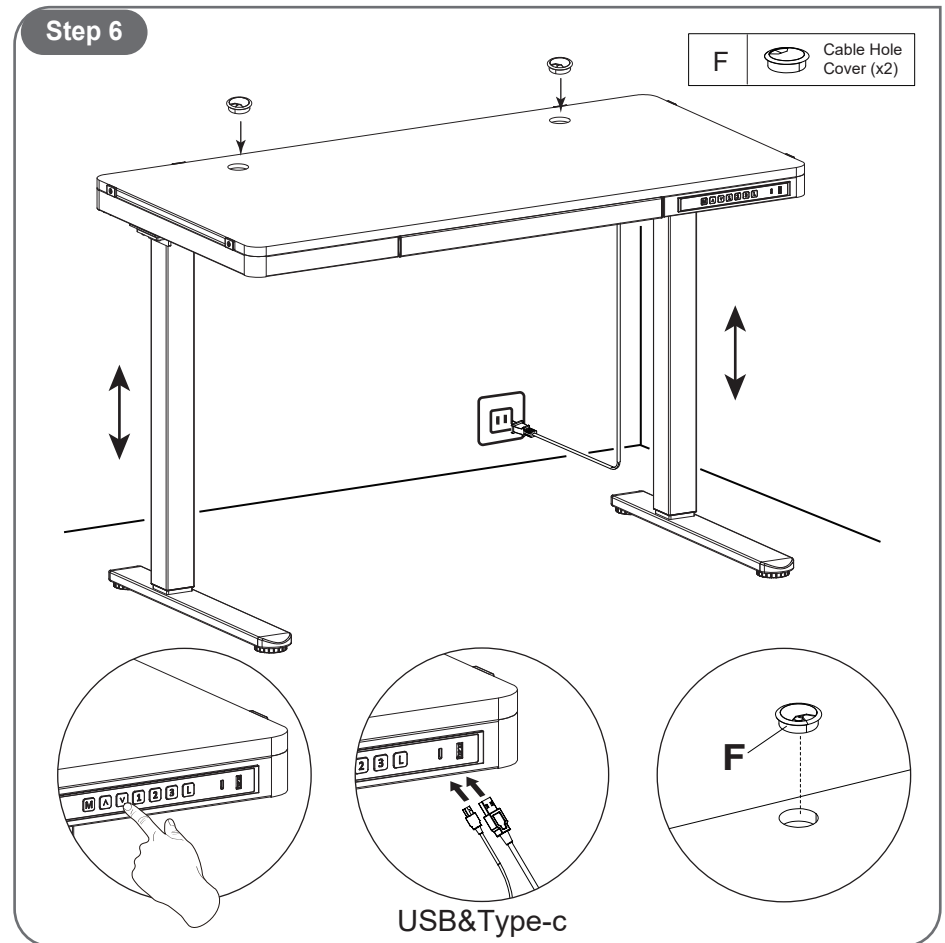
Power Input 100V-240V	Speed 20 mm/s	Motion Noise <55dB	Load Capability 110 lbs / 50 kg	Overload Protection	Operation Temperature -20°C~+50°C	Thermal Protection	IP Grade IP20

COMPONENT LIST



<p>①</p>  <p>Desktop (x1)</p>	<p>②</p>  <p>Left Table Leg (x1)</p>
<p>③</p>  <p>Right Table Leg (x1)</p>	<p>④</p>  <p>Transmission rod (x1)</p>
<p>⑤</p>  <p>Leg Base (x2)</p>	<p>⑥</p>  <p>Power cord (x1)</p>

Step 6



Lighting control:

Press and hold the L button for 3 seconds to turn on/off the light mode.

Mode 1:

Static green - Static blue - Static red - Static purple - Static yellow - Static light blue - Static white. Colors change when the button is pressed.

Mode 2:

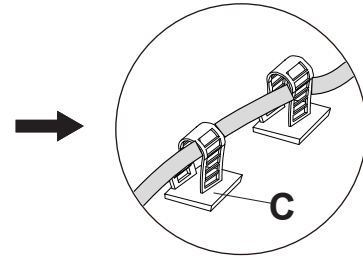
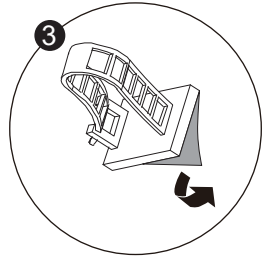
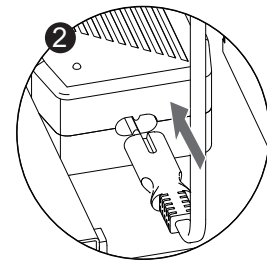
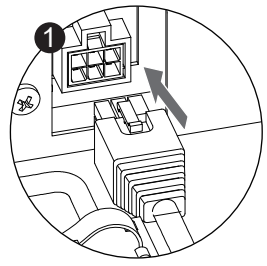
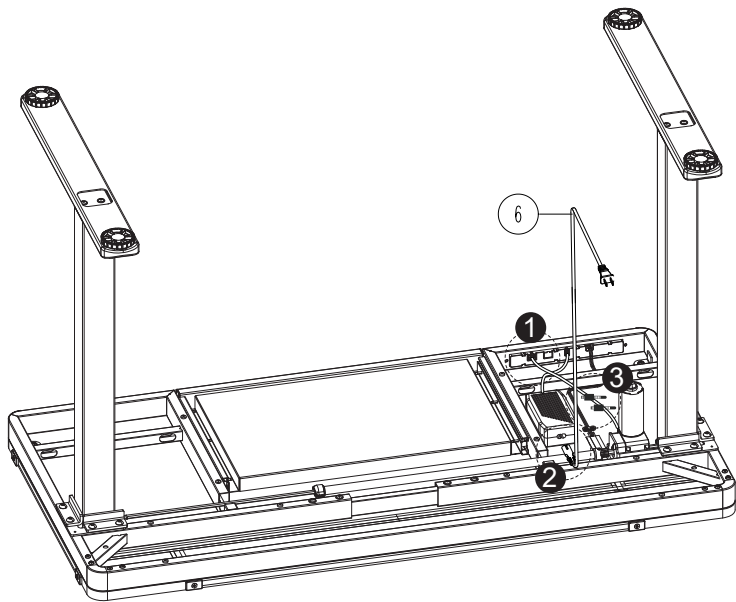
Green-blue-red-purple-yellow-light blue-white, jumping mode, colors change quickly in the specified order.

Mode 3:

Green-blue-red-purple-yellow-light blue-white, "breathing" mode, colors change smoothly in the specified order.


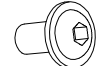



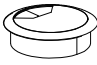

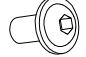
Step 5

C  Cable clip (x2)





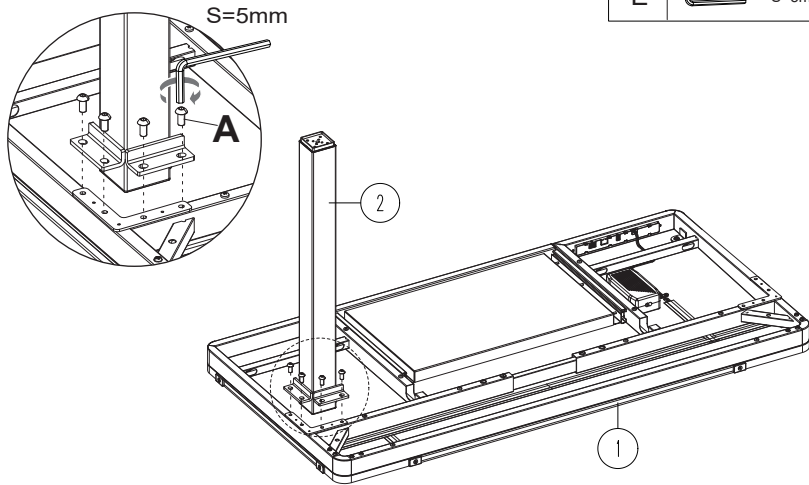
Cable Management

HARDWARE LIST

<p>A</p>  <p>Screws M8×16mm (x8)</p>	<p>B</p>  <p>Screws M6×11mm (x8)</p>	<p>C</p>  <p>Cable clip (x2)</p>
<p>D</p>  <p>Allen Key S=2mm (x1)</p>	<p>E</p>  <p>Allen Key S=5mm (x1)</p>	<p>F</p>  <p>Cable Hole Cover (x2)</p>
<p>Spare Parts</p>		
<p>A</p>  <p>M8×16mm (x2)</p>	<p>B</p>  <p>M6×11mm (x2)</p>	

Step 1

A	 M8×16mm(x4)
E	 S=5mm



Step 3


① Loosen the knob

② Insert the transmission rod into the hex hole and turn the transmission rod anti-clockwise until the left leg goes to the lowest position.



③ Insert the other end of transmission rod to the slot on the leg (You may rotate the rod slightly for better installation).

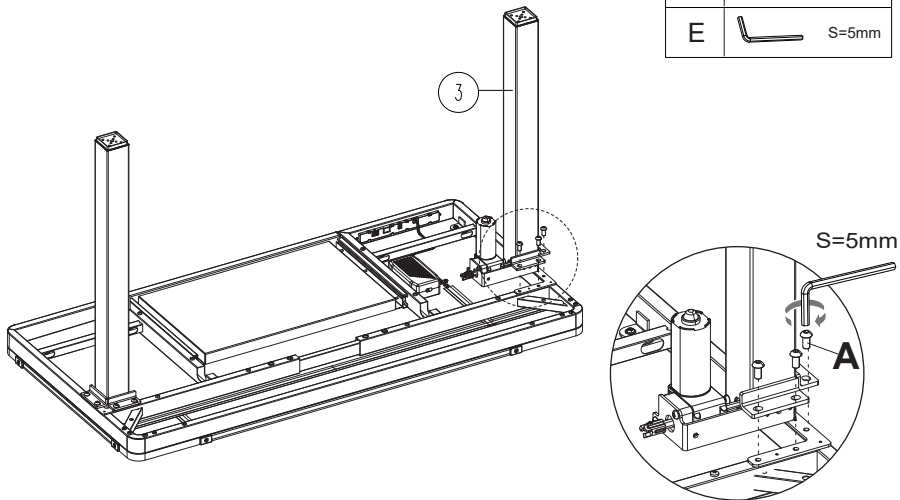
④ Tighten the knob

Secure the transmission rod to the slot by tightening the pre-assembled set screw using the small Allen key.



D	 S=2mm
---	---

Step 2

A	 M8×16mm(x4)
E	 S=5mm



Step 4

B	 M6×11mm(x8)
E	 S=5mm